

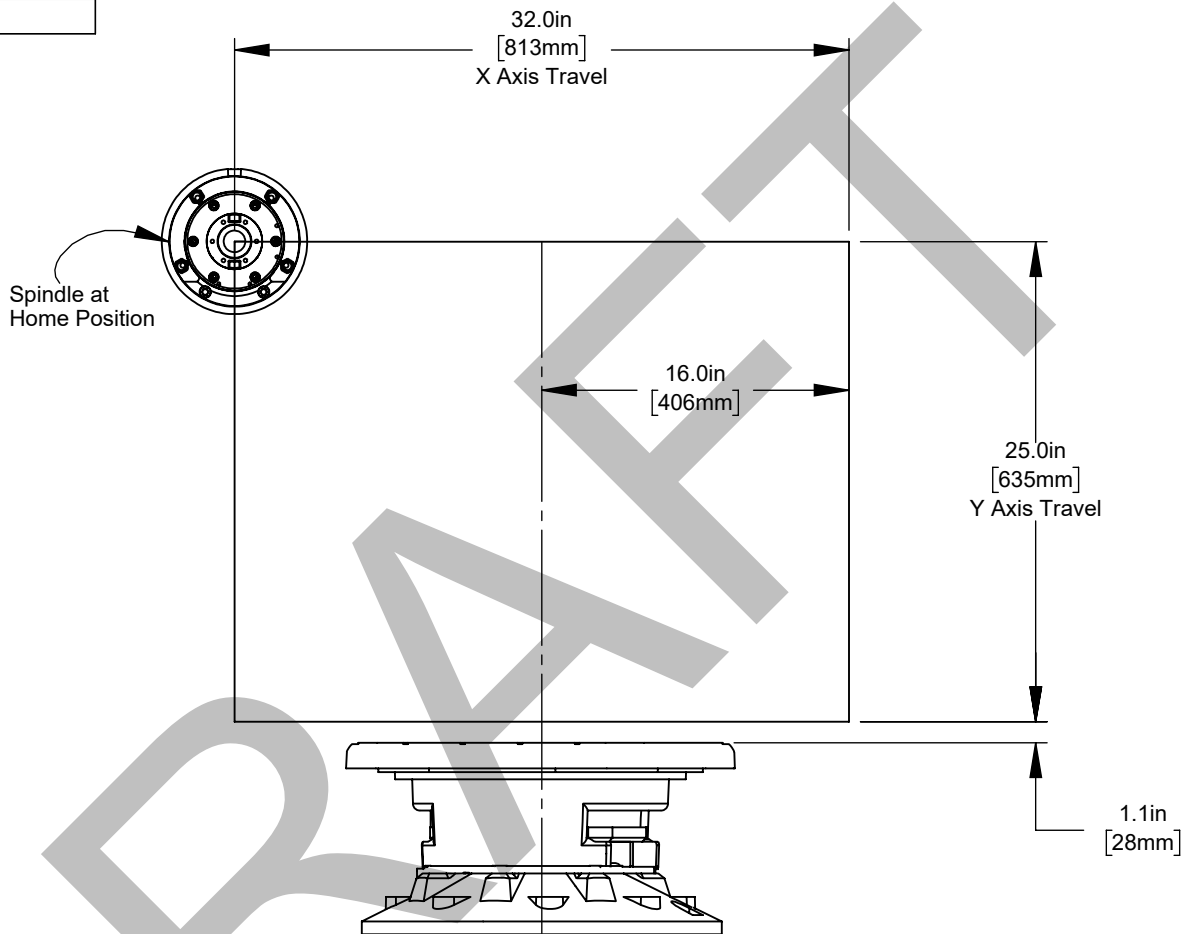
All dimensions based on stackup of sheetmetal, subject to variation of 1/2" (13 mm)

Pre-production Specification & Dimensions subject to change without notice.

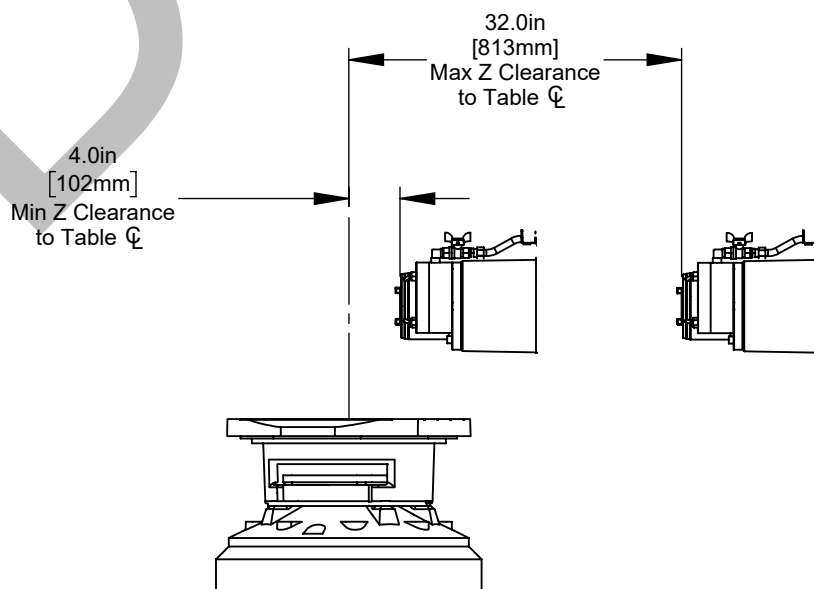
*Due to continual product improvements, machine dimensions are subject to change without notice.

Max Travels		
X	32in	813mm
Y	25in	635mm
Z	28in	711mm
A	360°	

X&Y-Axis Clearance



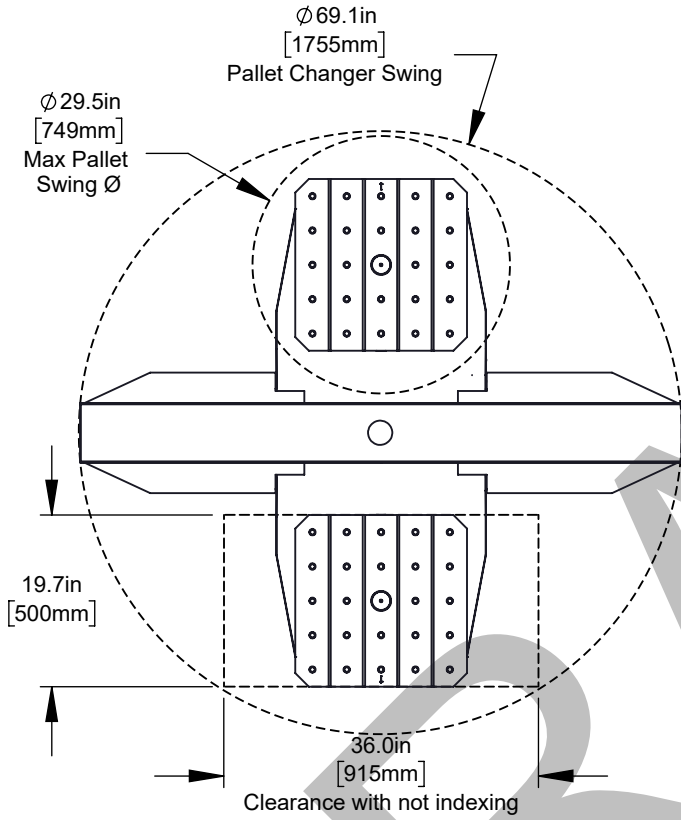
Z-Axis Clearance



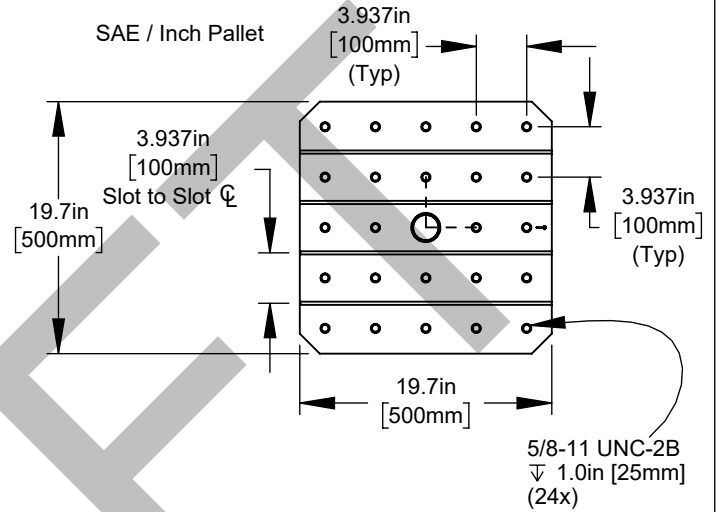
Pre-production Specification & Dimensions subject to change without notice.

*Due to continual product improvements, machine dimensions are subject to change without notice.

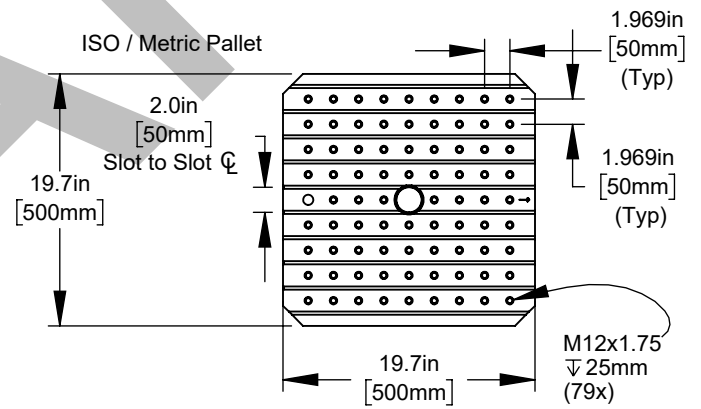
Table



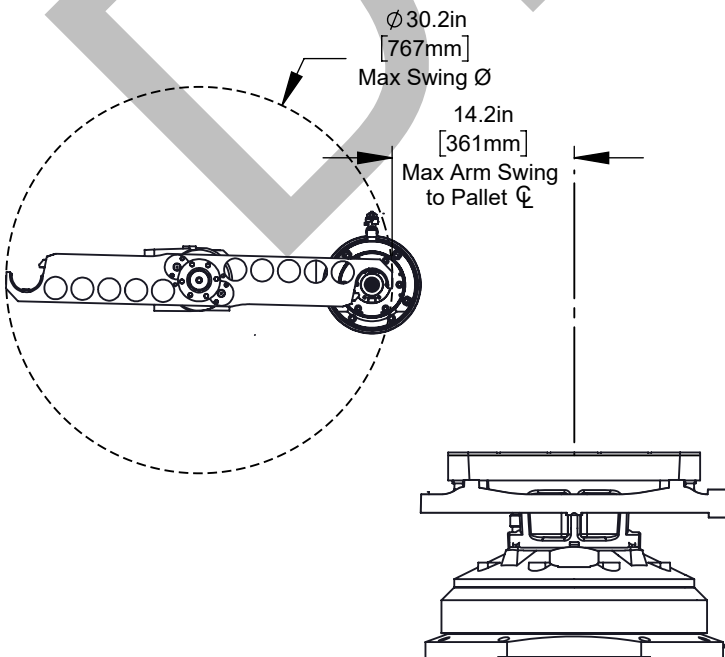
SAE / Inch Pallet



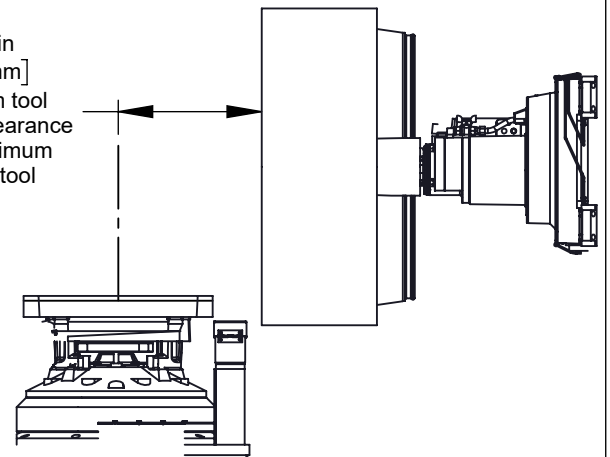
ISO / Metric Pallet



Tool Changer



15.0in [380mm] Minimum tool changer clearance with maximum length tool



Pre-production Specification & Dimensions subject to change without notice.

*Due to continual product improvements, machine dimensions are subject to change without notice.